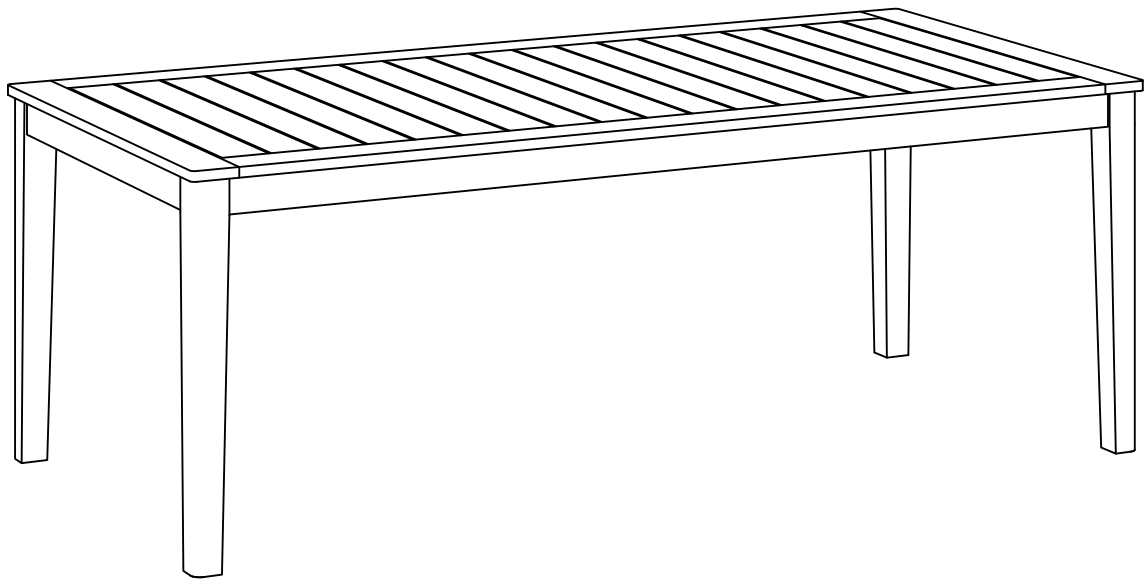


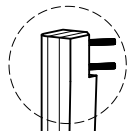
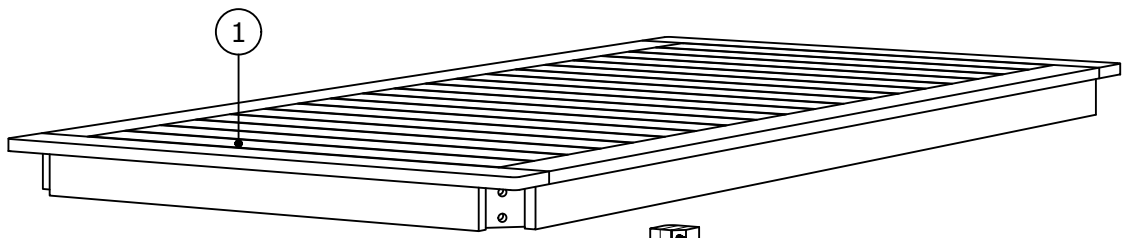
# SPORA SPISEBORD



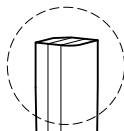
① x 1

② x 2

③ x 2



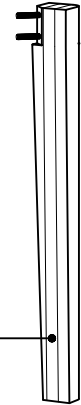
③



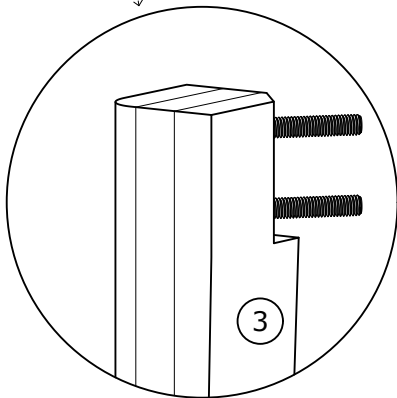
②



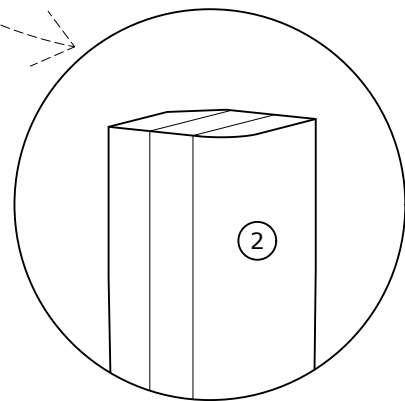
②



③

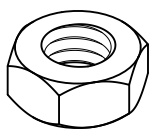


③



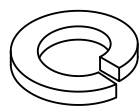
②

A x 8



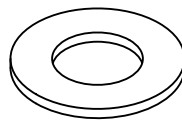
M10x7 mm

B x 8



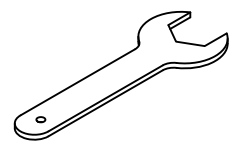
Ø16x2 mm

C x 8



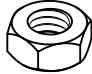
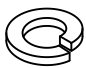


Ø10/Ø19.6x1.8 mm

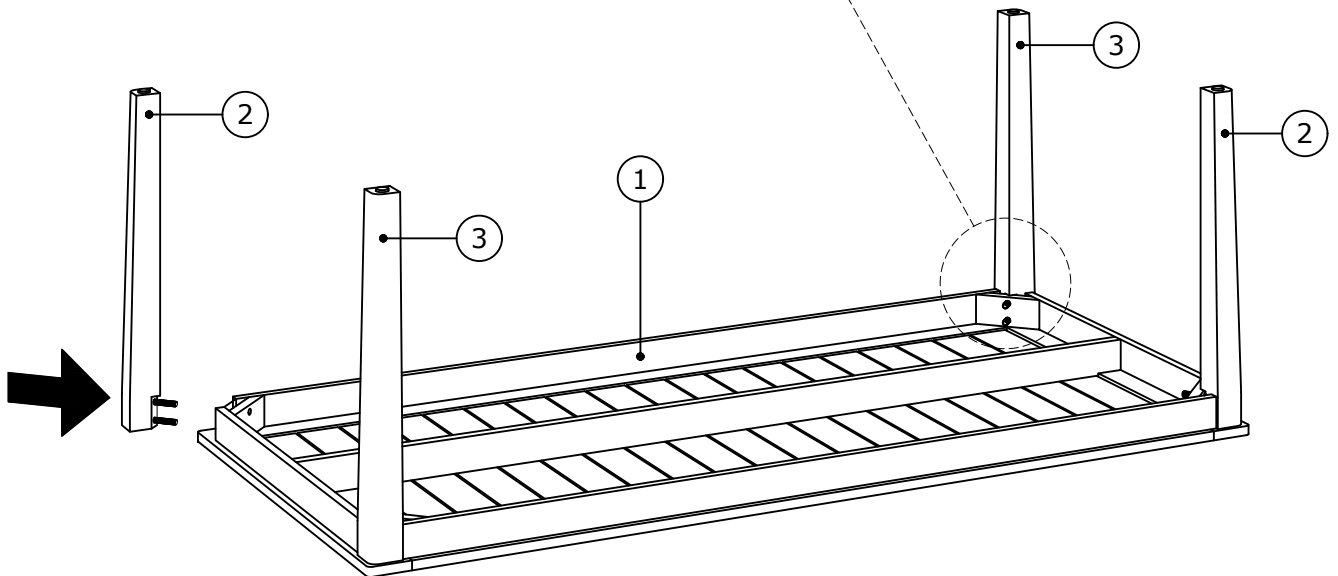
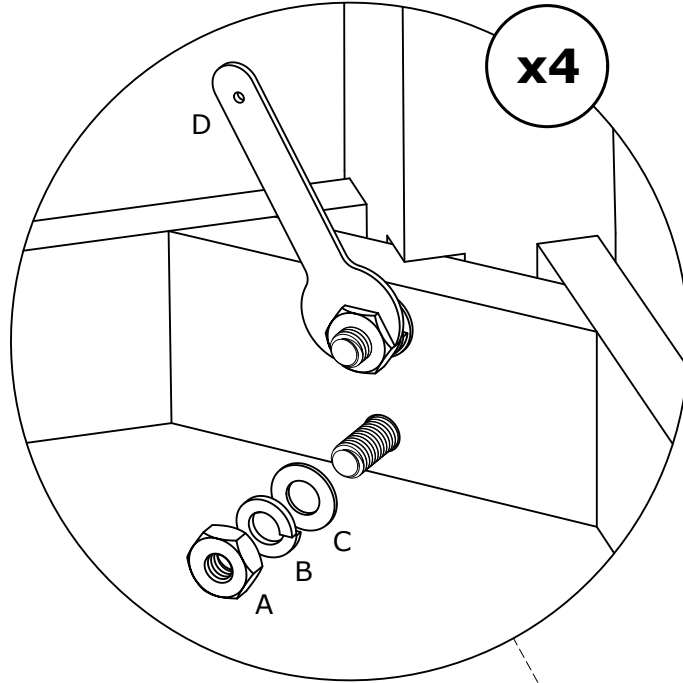
D x 1



#17 mm

1

A x 8  M10x7 mm	B x 8  Ø16x2 mm	C x 8  Ø10/Ø19.6 mm	D x 1  #17 mm
--	--	--	---



2

